

K-No.: 23188

Signal -Transformer

Date: 22.07.2014

Customer: Standard Type

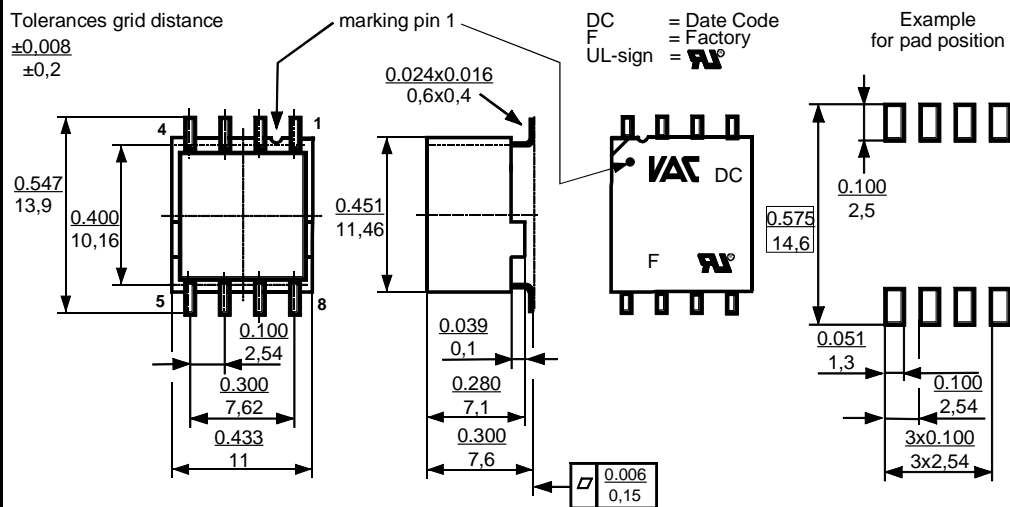
Customer part No.:

Page 1 of 3

Mechanical outline (Inches / mm)

General tolerances DIN ISO 2768-c

Tolerances grid distance
±0.008
±0,2



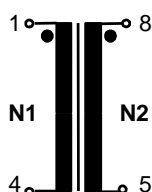
Connections:

Not connected pins
2,3,6,7

Marking:

VAC
5024X044 DC
F UL-sign

Schematic diagram:



Turns ratio = 1 : 1

Operational data/characteristic data (nominal values):

f = 10 kHz ... 1 MHz m = 1,88 g

I_{RMS} < 30 mA (50/60Hz)

R_{Cu1} ≤ 200 mΩ; R_{Cu2} ≤ 200 mΩ

L_{S1-2} ≤ 0,30 μH; C_{K1-2} ≤ 25 pF

Operating temperature: -40 °C ... +85 °C

Storage temperature: -40 °C ... +85 °C

Inspection: (V: 100%-Test; AQL...: DIN ISO 2859-Part1)

- | | | |
|---------------|----------|---|
| 1) (V) | M3014: | U _{p,r.m.s.} = 5,5 kV, 2s, N1 vs N2 |
| 2) (AQL 0,25) | M3214: | L ₁ ≥ 0,75 mH, f = 10 kHz, U _{AC,r.m.s.} =100 mV, I _{DC} = 30 mA |
| 3) (V) | M3011/6: | Polarity / Turns ratio: Tolerance ± 2% |
| 4) (AQL 0,25) | M3011/1: | L ₁ = 1,40 mH ± 30%, f = 10 kHz, U _{AC,r.m.s.} =100 mV |
| 5) (Fix 05) | M3291: | Solderability acc. to chapter 1 |
| 6) (AQL 1/S4) | M3200 | Mechanical test |

See page 2

Applicable documents: See page 2

Date	Name	Index	Changes
22.07.14	Pf.	89	Characteristic data: I _{DC} < 30 mA changed to I _{RMS} < 30 mA (50/60Hz). Lapidary change.
26.10.12	Pf.	89	Operational data: IDC < 30 mA inserted. Lapidary change.

Editor.: KB-E	Designer: Bs.	KB-PM: Ert. check	Released.: HH
---------------	---------------	----------------------	---------------

K-No.: 23188

Signal -Transformer

Date: 22.07.2014

Customer: Standard Type

Customer part No.:

Page 2 of 3

Type test:

1) High voltage test according to M3014

$U_{p,r.m.s.} = 6 \text{ kV}$, 1 min, N1 vs N2

2) M3292: Lötwärmebeständigkeit nach Abschnitt 2
Resistance to soldering heat acc. to chapter 2

Measurements after temperature balance of the test samples at room temperature

Applicable documents:

Designed, manufactured and tested in accordance with EN 60950-1 and complies with the standards.

Parameters: Reinforced insulation: N1 – N2

Working voltage $U_{r.m.s.} = 250 \text{ V}$

Material group: 3

Overvoltage category: 3

Pollution degree: 2

Following report is available:

Certificate of Compliance of the Underwriters Laboratories Inc. (UL) (File No. E169721).

It is confirmed that this component meets the safety requirements of the following standards:

UL 60950-1, 2nd edition; C22.2 No. 60950-1-07, 2nd edition.

Housing material, casting resin and wire UL - listed

Packing: Packing according to M3510

Packing: Drypack / MSL according VAC M3027

Editor.: KB-E

Designer: Bs.

KB-PM: Ert.
check

Released.: HH

K-No.: 23188

Signal -Transformer

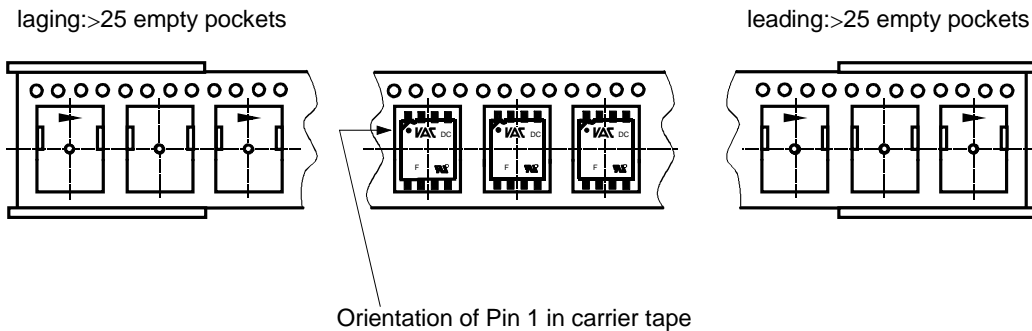
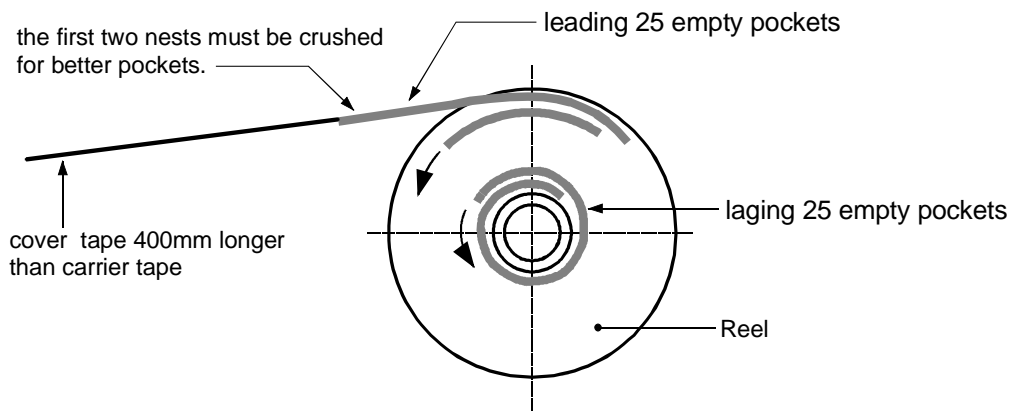
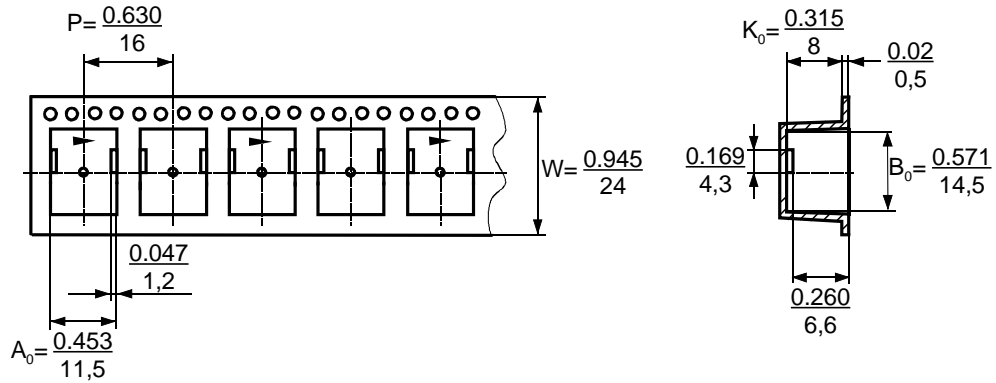
Date: 22.07.2014

Customer: Standard Type

Customer part No.:

Page 3 of 3

Packing information



Insertion of components according orientation 3 shown in M-sheet 3510

Quantities in packing: 450 pieces/tape (packing carton)
5 tapes reel/carton (outside)=2250 pieces /carton(outside)

Editor.: KB-E

Designer: Bs.

KB-PM: Ert.
check

Released.: HH