

# Product Data Sheet

One27 cable assembly 80 pins 100 mm version 120,  
Part No. 404-6180-100-120-1

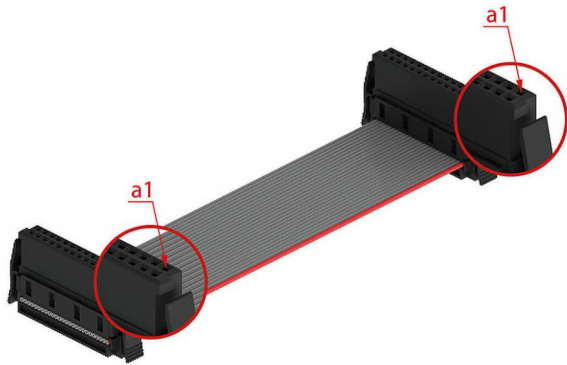


Illustration similar



Cable-to-Board



High Density

- 80 pins
- cable length 100 mm
- AWG 30/7 pitch ribbon cable 0.635 mm
- assembly in insulation displacement connectors (IDC)
- type of cable PVC: -30°C to +105°C (in idle state)
- colored lead on a1



» to product on [www.ept.de](http://www.ept.de)



» to product group One27

# Product Data Sheet

One27 cable assembly 80 pins 100 mm version 120,  
Part No. 404-6180-100-120-1



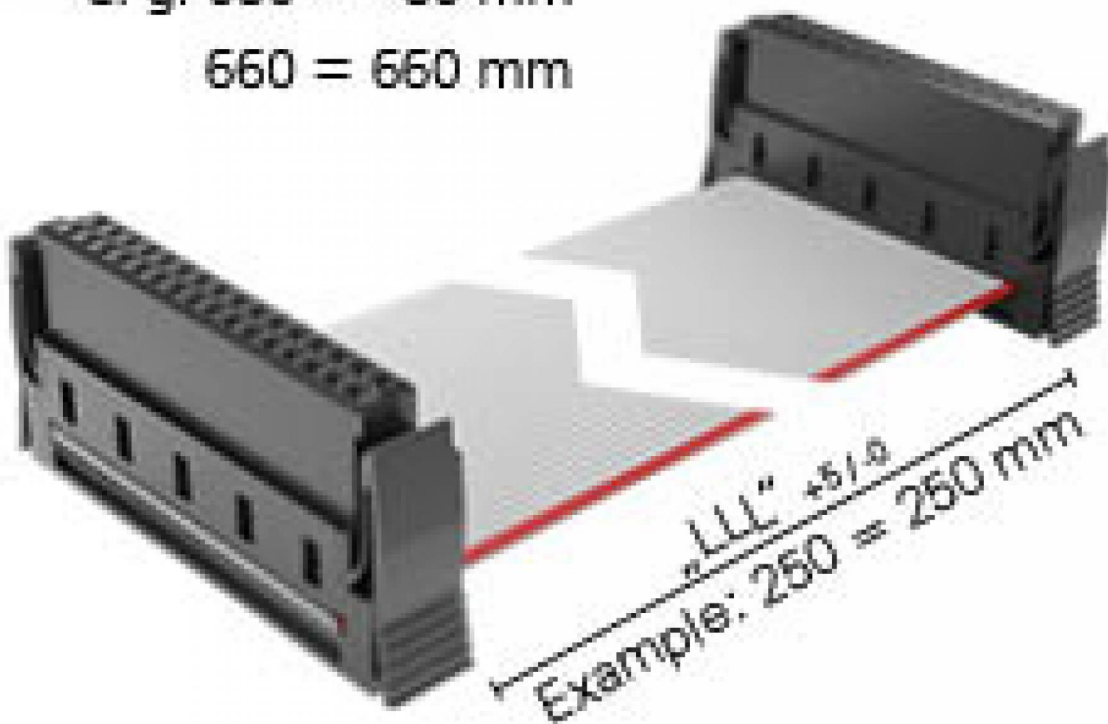
## Product Key

### Length of cable in mm

from 50 to 999 mm

e. g. 080 = 80 mm

660 = 660 mm



### Number of pins

12, 16, 20, 26, 32, 40, 50, 68, 80

# Product Data Sheet

One27 cable assembly 80 pins 100 mm version 120,  
Part No. 404-6180-100-120-1



## Technical Specifications

### Basics

No. of Contacts	80
Termination Technology	SMT
Operating Temperature Range	-30°C to + 105°C

### Material

Insulator Material	LCP, UL 94 V-0
CTI value <i>IEC 60112</i>	175
Contact Material	Copper alloy
Plating	Au over PdNi over Ni
Termination area	Sn over Ni

### Mechanical

Pitch	1.27 mm
Mating Force per Pin	≤ 0.5 N
Separating Force per Pin	≥ 0.1 N
Durability <i>IEC 60512-9-1</i>	Performance level 1: 500 mating cycles

### Electrical

Operational Current	1.2 A at 25°C
Clearance and Creepage	min. 0.4 mm

### Approval / Compliance

UL file	E130314
Environment	RoHS compliant

# Product Data Sheet

One27 cable assembly 80 pins 100 mm version 120,  
Part No. 404-6180-100-120-1

---



## Modifications

Available on request

- other assembled versions
- other cable length

## Drawings

Component data in 2D and 3D format you can download here:

[» PDF](#)