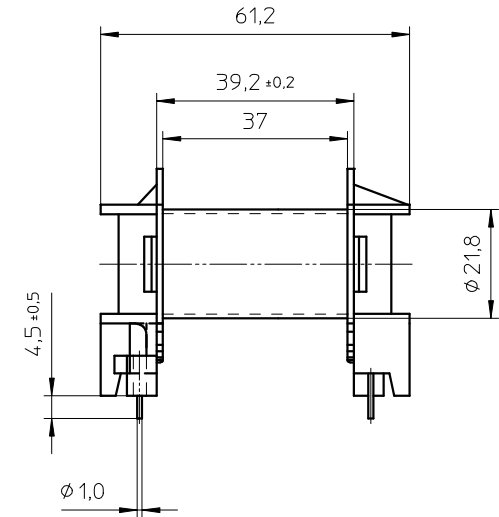
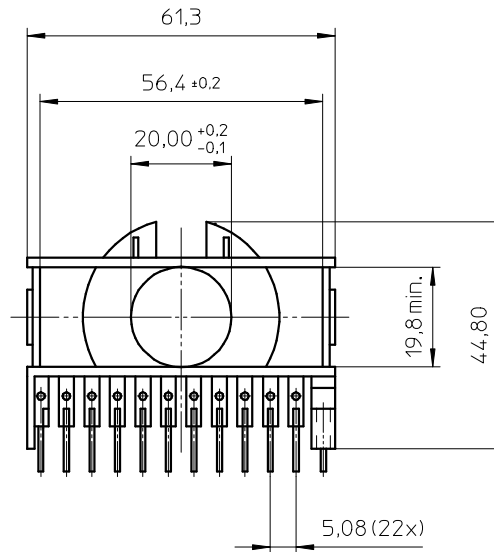
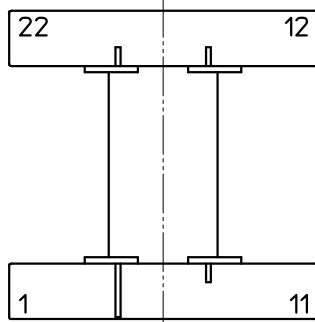
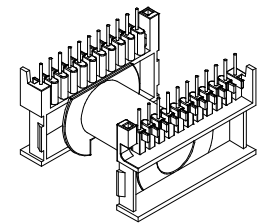
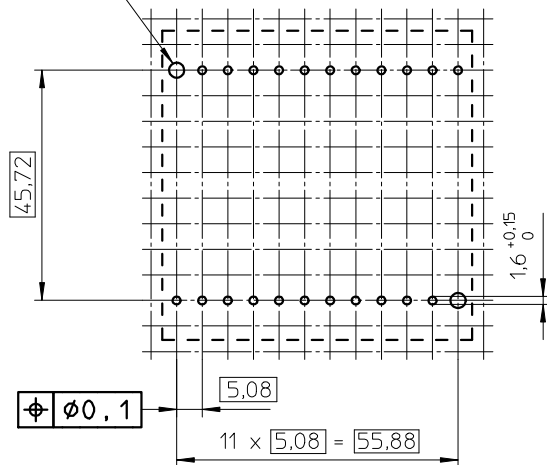


PIN ARRANGEMENT:



screw holes (2x)



Coil former material: Rynite FR530 (PET), glass-reinforced.

UL file number: E41938 - UL94V-0.

Max. operating temp.: 180°C, class H

Pin material: Copper-plated steel wire, Sn plated.

Resistance to soldering heat: acc to IEC 60 068-2-20 Part 2, Test Tb, method 1B 350°C-3,5s.

Solderability: acc to IEC 60 068-2-20 Part 2, Test Ta, method 1, 235°C-2 sec.

Winding area: 315,6 mm<sup>2</sup>.

Mean length of turn: 96 mm.

CLASSNO.		CPH-ETD54-1S-22P-TZ		4322 021 06701		07-03-01	
NAME NAAM	A.Wojtasz	SUPERS. VERV.	001	SP BL	112 - 001	069	A3
MPA	CHECK CONTR.	DAT.	07-03-01	Property of Eigendom van	© FERROXCUBE 2007		